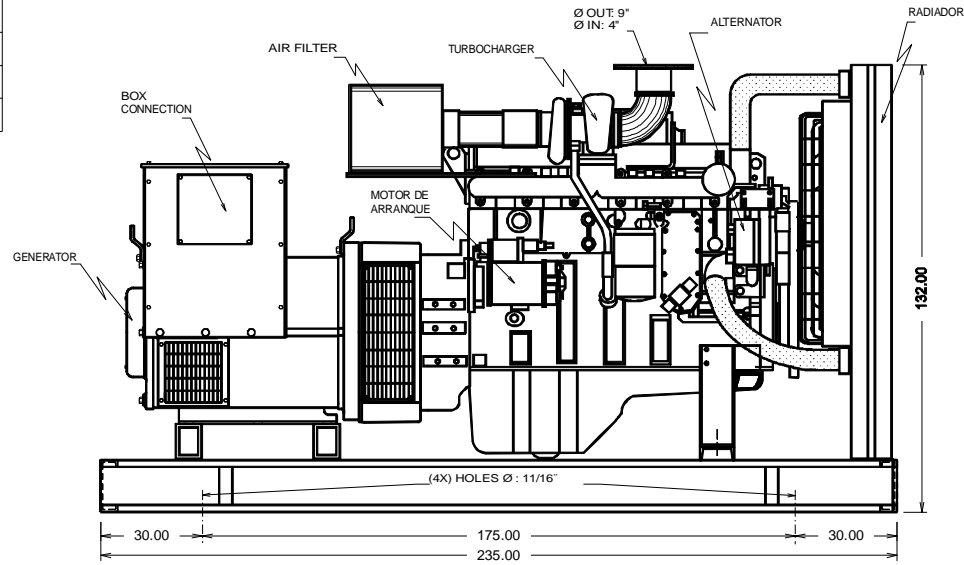
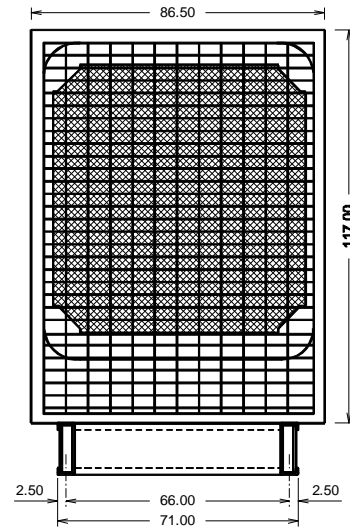


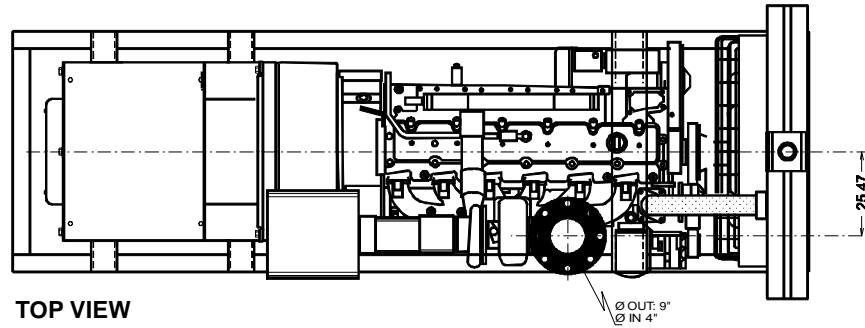
**MODELS**  
 CNE175  
 CNY190  
 CNY150  
 CNY175



**SIDE VIEW**




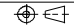
**FRONT VIEW**



**TOP VIEW**

DESCRIPTION	
RADIATOR:	OT3 - 125
ENGINE:	6CTA8.3G2
AIR FILTER:	AH1196
BASE FRAME:	BMT-6CTA8-STF
# SPRING AVMS	4 PZS

**NOTES:**  
 -THE GENSET DIMENSIONS ARE THE SAME BY FAMILY MODEL. THERE COULD BE ONLY DIFFERENCES ON THE ALTERNATOR LENGTH SEE SPECIFIC GENERAL ARRANGEMENT DRAWING OF CERTAIN MODEL  
 -TOTAL WEIGHT COULD VARY CHECK RATING CHART FOR EACH MODEL

Customer:	S/O:	<b>Title: CUMMINS ENGINE 6CTA8.3G2 - STAMFORD ALTERNATOR</b>			
		Draw: R.G.C. Date: JAN 05th 2005	Revised: F.H.M. Date: JAN 09th 2005	Certificated: F.H.M. Date: JAN 09th 2005	Code: <b>CNE/Y-06</b> Dept.: Engineering
				Marks: cms Scale: s/e	Draw: Of:
Rev.	Description	Date	Certificated		
<b>Reviews</b>				Ottomatres keeps the right to change the information with out prior notice	